

OS165CC V2

In-Ceiling Speaker



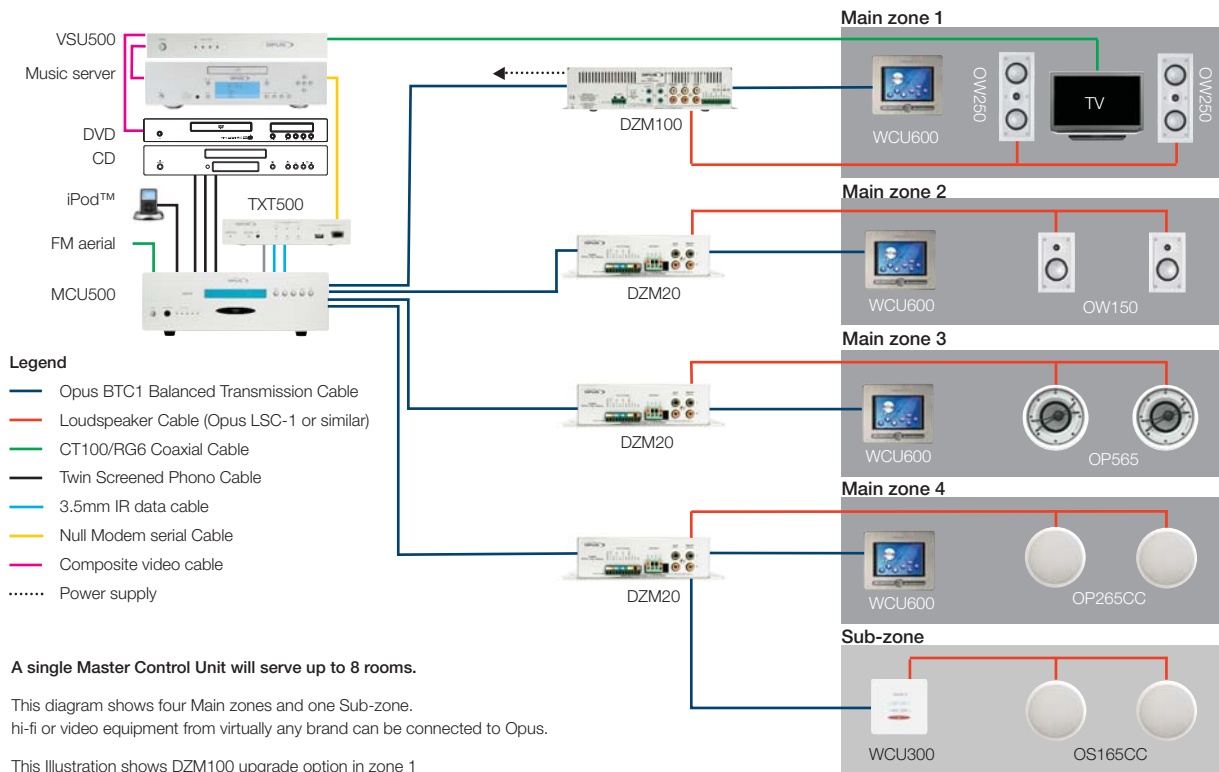
The OS165CC speakers deliver a well-rounded, clear and warm audio experience which fills any room.

Optimised for custom installation, the drive unit and crossover are designed to take into account the angles, frequencies and energy distribution characteristics of in-ceiling applications.

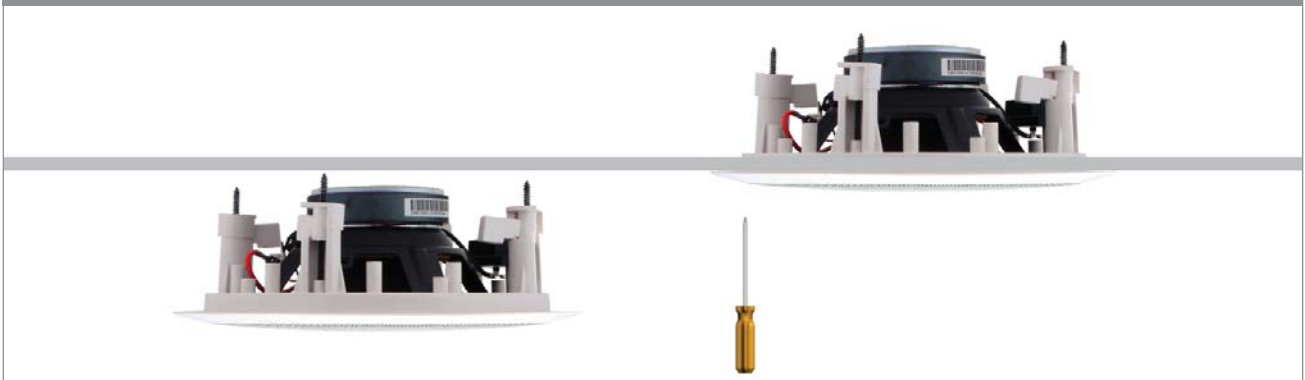
Key features

- Optimised drive and crossover units for ceiling-mounted applications
- Only 80mm ceiling depth required
- 2 way design, 165mm diameter driver unit with 13mm coaxial tweeter
- Suitable for installation in moist environments such as bathrooms
- Supplied with cutting template
- Paintable front for optimal décor matching.

A typical Opus 500 installation schematic



OS165CC installation schematic



Specifications

Frequency	58Hz - 20kHz +/- 3dB
Sensitivity	90dB SPL @ 1Watt/1 meter
Nominal Impedance	4 ohms
Power Handling	5 - 60 Watts rms
Enclosure type	In-ceiling infinite baffle Flush mounted to ceiling
Drive Components	Two-Way System One 13mm tweeter One 165mm woofer
Crossover Frequency	3kHz
Front Panel Diameter	238mm 10mm deep

Mounting Depth Required (Min)	80mm
Cutout Dimensions	207mm
Recommended back air volume	22 litres
Ingress Protection (IP)	X4 EN 60529
Nett Weight (Per Speaker)	1.3Kg
Gross Weight (Speaker pair incl. packaging)	3 Kg
Carton Volume	0.019m3

